



www.androtec.com/links/detectors

Art. 600390

ANDROTEC
Laser Detection at its Best

Universal Laser Receiver **STRUCTOR**

Model: STR-60RG

Instruction Manual



www.androtec.com

For Your Safety



Please read this instruction manual before using the device for the first time and comply with it.

Retain this instruction manual for future reference or for subsequent owners.

This instruction manual is available online under:
www.androtec.com/manuals/structor



CAUTION

Prior to the first start-up, it is definitely necessary to carefully read the **Safety instructions!**

Failure to adhere to this instruction manual and the safety instructions may result in damage to the device and cause dangerous situations for the operator and other people.

In case of transport damage please inform your vendor immediately.

Safety Instructions



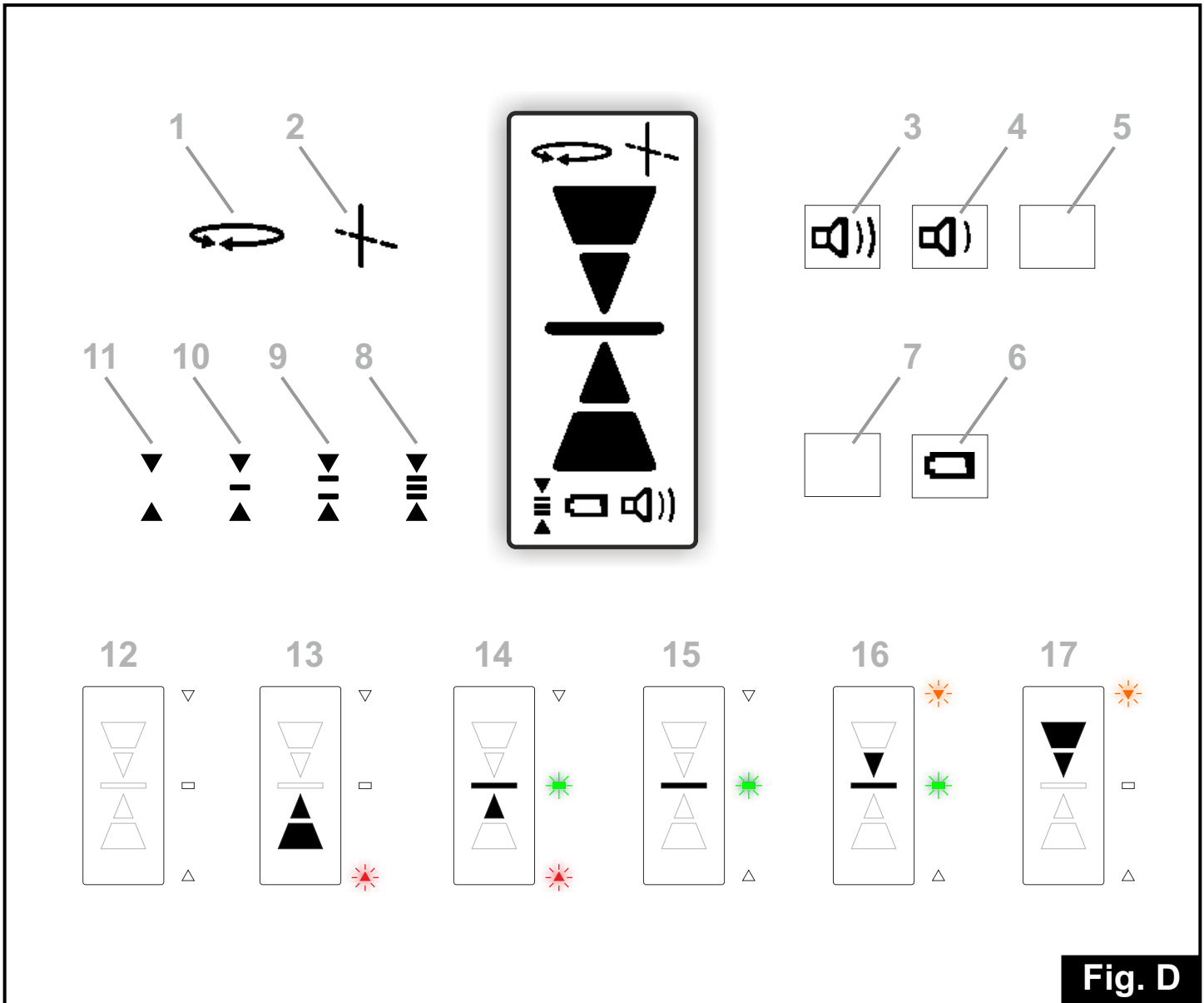
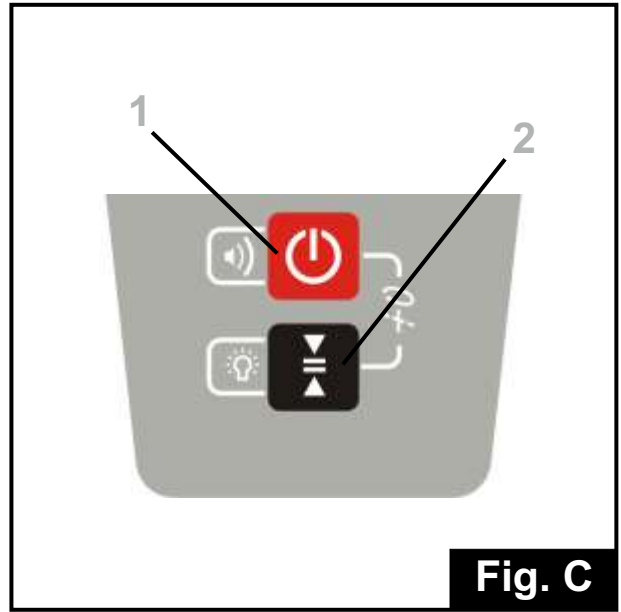
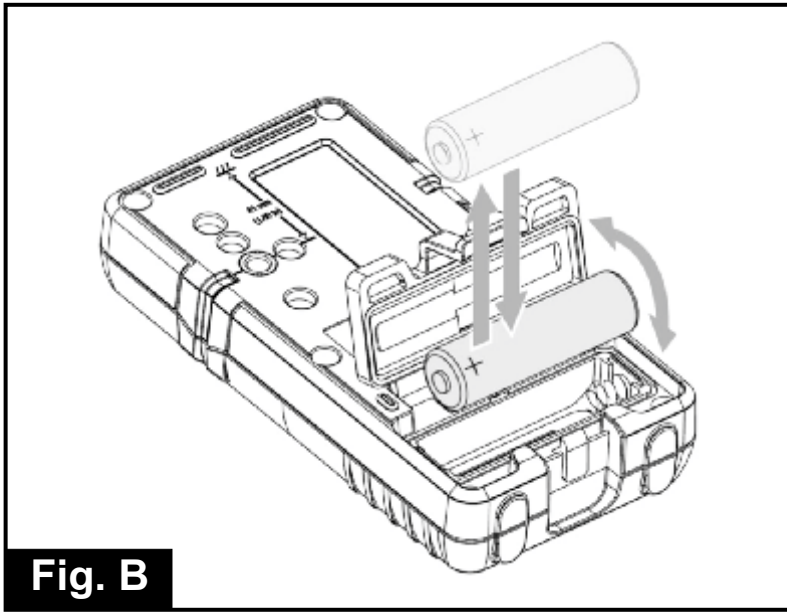
CAUTION

Do not modify the device. Modifications can cause injuries and malfunctions.

- **Only authorised and trained personnel are allowed to repair the device.** Only use genuine spare parts from AndroTec GmbH. This ensures continuous device safety.
- **Do not look directly into the laser beam.**
- **Laser receiver should not be used in the vicinity of pacemakers.** The magnets produce a field which can affect the function of the pacemaker.
- **Keep the laser receiver away from data media and devices that react sensitive to magnetic force.** Exposure to magnets can result in irreversible data loss.
- **Noise emission**
The a-rated sound pressure level of the acoustic signal is >80 db (A) at a distance of one meter.
- **Do not hold the laser receiver directly to your ear!**
- **Keep the laser receiver away from children.**
- **Do not use the laser receiver in explosive atmospheres or near flammable liquids, gases or dust.** The device may produce sparks that can ignite vapours or dust.
- Please remove the battery if the device is not in use for a prolonged period of time.
- **Use only genuine AndroTec accessories.** When using non-recommended accessories, you may receive incorrect measuring values.



Fig. A



Technical Specifications

Capture height	60 mm
Reception angle	± 45°
Wavelength	450 to 800nm
Range with rotating laser	Up to 400m (recommended speed: ≥ 600 rpm)
Range with line laser	Up to 100m (only pulsed laser lines)
Pulse freq. of line laser	7 to 12 kHz
Accuracy, adjustable	±0,3 mm / ±1 mm / ±2 mm / ±5 mm
Beeper volumes	High / low / off
Automatic shutoff	After 30 min without key stroke / laser reception
Filter against	Flash / sun light, LED / fluorescent lamps
Marking notch	41 mm from top edge
Physical dimensions	135mm x 69mm x 25mm
Weight without clamp	0,19kg
Protection class	IP 67 (waterproof)
Power supply	1 x AA
Battery life	> 50 h
Operating temperature	-10°C to +50°C
Storage temperature	-40°C to +70°C

Proper Use

Depending on the selected operating mode, the receiver detects either the laser beams of rotating lasers or the (horizontal or vertical) laser lines of line lasers with hand-held receiver function (pulse mode). Any other use than the described above shall be deemed to be improper use.

The user is liable for damage resulting from improper use.


Device Elements (Fig. A)

- 1 Magnet
- 2 LED indicator (orange)
- 3 LED indicator (green)
- 4 LED indicator (red)
- 5 Laser-sensitive area
- 6 Marking notch
- 7 Clamp
- 8 Keypad
- 9 Bubble vial
- 10 Display
- 11 Type plate with serial number
- 12 Fixing thread for the clamp
- 13 Beeper
- 14 Battery door and latch

Start-Up

Avoid violent shocks or dropping the unit.

Inserting / changing the battery (Fig. A/B)

- Change the battery if  is displayed .
- Open the battery cover [14].
- Remove the battery and insert a new one (observe correct polarity!).
- Dispose of the used battery (see chapter on environmental protection).

Operation

Keypad overview (Fig. C)

- 1 On / Off / Volume
- 2 Accuracy / LED activation

Display overview (Fig. D)

- 1 "Rotating laser" mode
- 2 "Line laser" mode
- 3 Beeper volume: High
- 4 Beeper volume: Low
- 5 Beeper volume: Off
- 6 Battery low
- 7 Battery Ok
- 8 Accuracy of readings: Coarse, ± 5 mm
- 9 Accuracy of readings: Medium, ± 2 mm
- 10 Accuracy of readings: Fine, ± 1 mm
- 11 Accuracy of readings: Extra fine, $\pm 0,3$ mm

Switching the device on

- Press the On / Off button [1]

Switching the device off

- Press the On / Off button [1] for more than 2 seconds

Adjusting the volume

- Press button [1] briefly, if necessary repeated
 - ▶ Switches the beeper volume between High / Low / Off

Selecting the operating mode

- Press button [1] and [2] for >3 seconds
 - ▶ Switches from rotating laser to line laser and vice versa

Adjusting the accuracy

- Press button [2] briefly, if necessary repeated
 - ▶ Switches the accuracy of readings between Coarse / Medium / Fine / Extra fine

Activating / Deactivating the LEDs

- Press button [3] for >3 seconds

Operation

- Hold the device vertically (in case of a vertical laser plane: horizontally) and move it towards the laser plane.
- Please pay attention to the acoustic signals and arrows on the (LED) display.

Display overview (fig. D)

Signs on the display Acoustic Signals

12	No laser	None
13	Much too low	Fast interval tone
14	Too low	Fast interval tone
15	On-grade	Continuous tone
16	Too high	Slow interval tone
17	Much too high	Slow interval tone

Note



When the device is switched on, it is in the operating mode as before.

- If in **line laser mode**, the device detects only the line laser type which was first detected after power on.

Maintenance and Care

Keep the device always clean, especially the laser-sensitive area!

- Do not use aggressive cleaning agents or solvents.
- If soiled heavily the device can be cleaned under running water.
- Do not use high-pressure cleaner.
- Allow it to dry completely before storing it in a closed container. Residual moisture can result in corrosion of the battery contacts. In this case the warranty expires.
- In the unlikely event of a failure or defect, have the appliance examined and repaired by AndroTec.
- In all your queries and spare part orders, always quote the 8-digit product number (see type plate) of your device.

Environmental Protection



Do not dispose of the device with domestic waste. Have the device disposed of by an authorised waste management company or your municipal waste management organisation.

Adhere to the applicable regulations. In case of doubt contact your waste management organisation. Recycle all packaging material in an environmentally friendly manner.

Batteries:

Do not dispose of batteries with domestic waste, do not expose them to fire or water. Collect and recycle batteries or dispose of them with due care for the environment.

Warranty

AndroTec Metor and clamp are warranted to be free of defects in material and workmanship according to the statutory warranty regulations. The user of the product is expected to follow all operating, maintenance and care instructions. Any evidence of misuse, alteration, or an attempt to repair products by unauthorized personnel, or use of parts other than those provided by AndroTec GmbH automatically voids the warranty. AndroTec grants an extended warranty for a period of three years, if within six weeks from the date of purchase, the warranty registration card is filled out and returned to AndroTec or the product is registered via Internet at www.androtec.com. Please make sure that the registration is filled out properly and on file with AndroTec.

This warranty period is thirty-six months from the date the new product is delivered from the dealer to the purchaser or is put into service by a dealer as a demonstration unit or rental unit. Competitor purchased and tested units are excluded from this warranty.

AndroTec may choose to repair or replace, at its discretion, any Metor in the event of a failure for any reason, during the warranty period. In case of a warranty claim, return the product and a proof of purchase to AndroTec.

AndroTec's liability under this warranty is limited to repairing or replacing any product returned to its factory for that purpose. The foregoing states the entire liability of AndroTec GmbH regarding the purchase and use of its product and they shall not be held responsible for any consequential loss or damage of any kind. This warranty is in lieu of all other warranties, expressed or implied, and constitutes all of AndroTec GmbH liability with respect to merchandise sold by it.

Warranty is strictly related to repair or substitution of defective parts according to AndroTec's discretion. The warranty does not cover any other damage that may occur directly or indirectly using defective parts.

Manufacturer

AndroTec GmbH
Hauptstraße 186
67714 Waldfischbach-Burgalben
Germany
www.androtec.com

WEEE-Reg.No.: DE37015608

CE Declaration of Conformity

We herewith declare that this product conforms with the following standards and directives:

Standards

- DIN EN 61000-6-1
- DIN EN 61000-6-3

in accordance with the regulations stipulated in the directives:

EC Directive

- 2014/30/EU
- 2014/35/EU

Technical Documentation at:

AndroTec GmbH


Mirko Eßling
General Manager

AndroTec GmbH
Waldfischbach-Burgalben, 03.05.2018

© 2019 AndroTec GmbH
Technical changes reserved.
We accept no liability for printing errors.